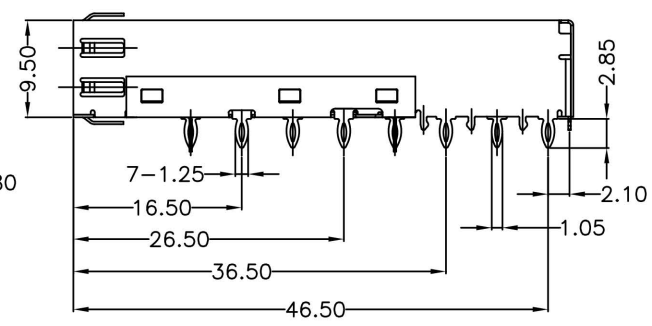
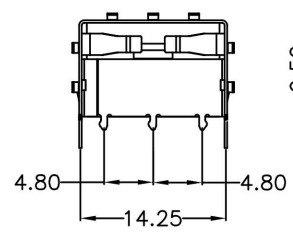
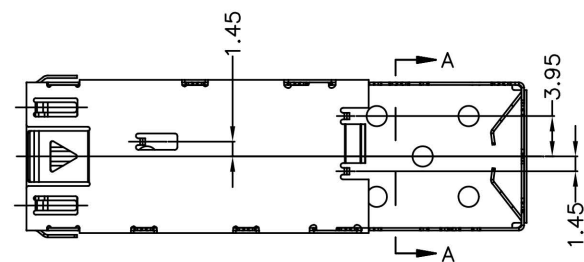
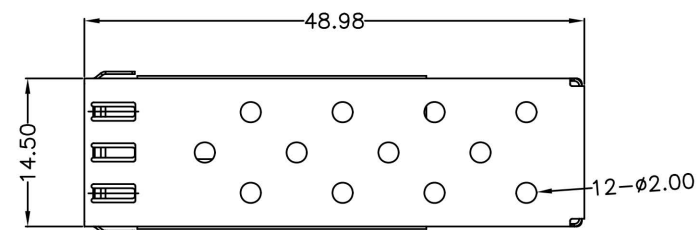
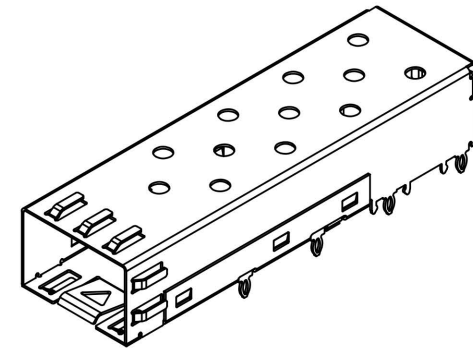
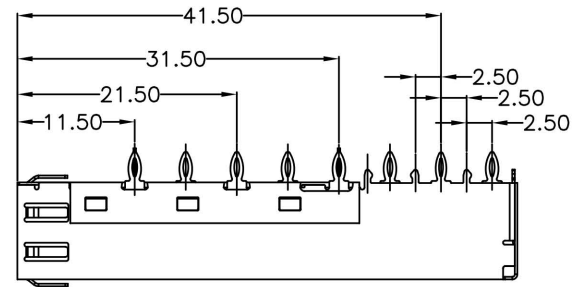


ROHS  
COMPLIANT

REV	DESCRIPTION	ECN NO.	DATE	DRAW	APPROV.
A	Proposal drawing		2008-06-05	Annie	Jason



MATERIALS

SHELL: COPPER ALLOY, NICKEL PLATED

PART NUMBER

198015 - 0 N - 1 6 L

SERIES — NICKEL PLATED ON METAL SHIELD — LEAD FREE — TRAY PACKAGE

<b>SoniTexx®</b>					
TITLE		SFP CAGE, R/A, METAL SHIELD, PRESS FIT TYPE, WITH SPRING			
PART NO.		198015-0N-16L	APPRD	Mark	
DRAW NO.		198015-0N-16L	CHKD	Steve	
LINEAR:		THIRD ANGLE PROJECTION		DRAW	
ANGLES:				DATE	
.X±0.30 .				2008-06-05	
XX±0.20 .		SCALE	SHEET	REV	UNIN
XXX±0.10		NONE	1/1	A	MM

LINEAR:	ANGLES:
.X±0.30 .	±3°
XX±0.20 .	
XXX±0.10	

