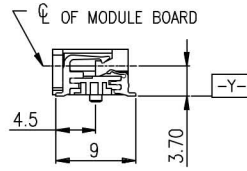
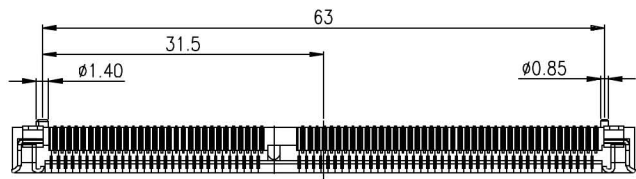
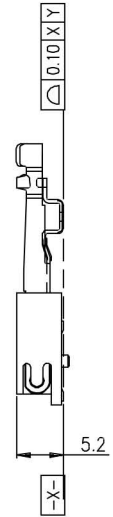
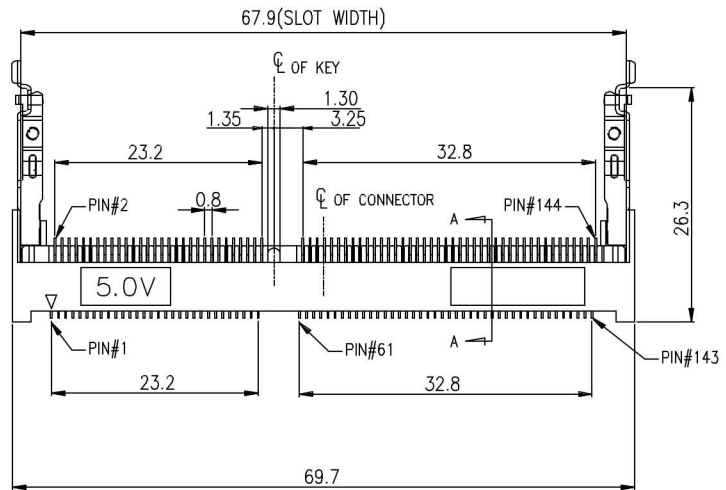


RoHS COMPLIANT

REVISIONS				
REV	ECN NO.	DESCRIPTION	APPROVED BY	DATE
A		NEW DRAWING	JASON MENG	2005-08-01



SECTION A-A



- * MATERIAL :
HOUSING : THERMOPLASTIC,LCP UL94V-0.
CONTACT : PHOSPHOR BRONZE OR BRONZE.
METAL SPRING & SOLDER PAD: SUS301.
- * FINISH :
HOUSING : IVORY COLOR.
CONTACT : AU SELECTIVE PLATED ,50u" MIN. NICKEL UNDER PLATING,100u" MIN. SN ONLY PLATED AT TAIL.
- * CHARACTERISTICS :
CURRENT RATING : 0.3 AMPERE MAX.
VOLTAGE RATING : 25 VAC.
OPERATION TEMPERATURE : -55°C TO +85°C.
DURABILITY : 30 MATING CYCLES.
CONTACT RETENTION FORCE : 0.15 KGF MIN PER PIN.
CONTACT RESISTANCE : 35 MILLIOHMS MAX. INITIAL.
INSULATION RESISTANCE : 250 MEGAOHMS MIN.
DIELECTRIC WITHSTANDING VOLTAGE : 250VAC RMS AT 60HZ, FOR 1 MINUTE.

DO NOT SCALE DRAWING

DIMENSIONS:
 MM [INCH] INCH [MM] MM ONLY
 UNLESS OTHERWISE SPECIFIED, GENERAL TOLERANCE:
 DECIMALS ANGLES
 X. ±0.38 [0.015] X* ±3°
 .X ±0.25 [0.010] .X* ±1.0°
 .XX ±0.13 [0.005]

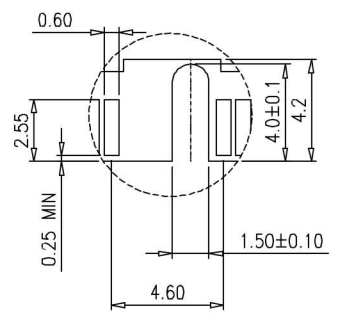
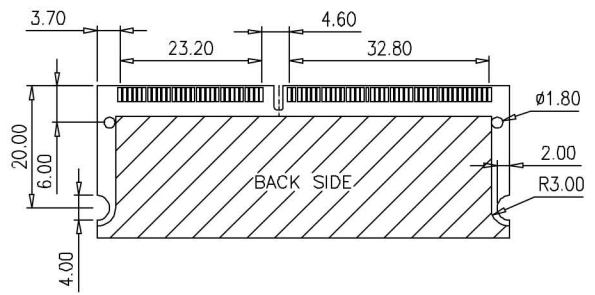
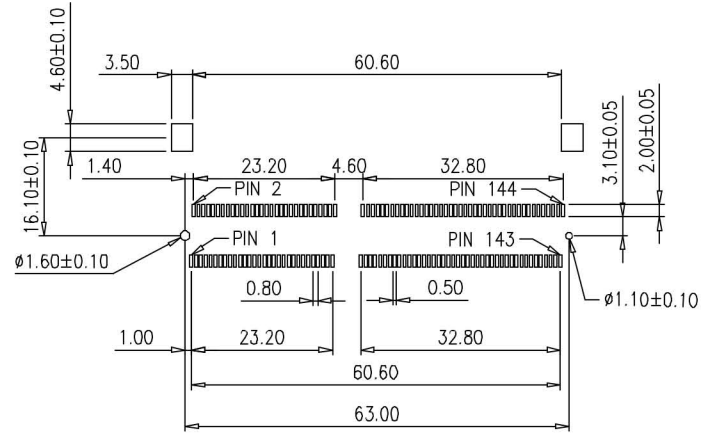
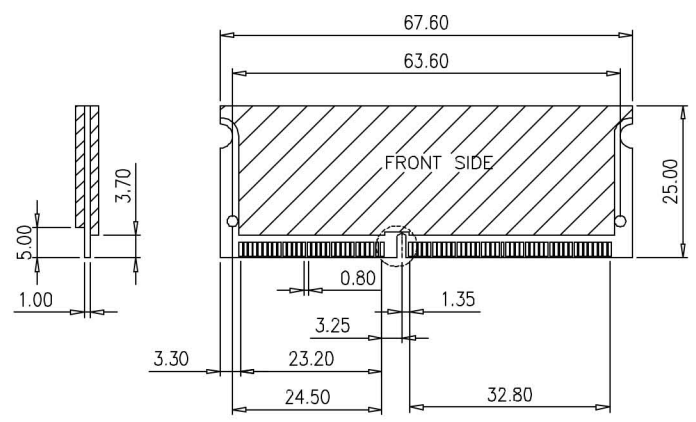
CAD GENERATED DRAWING, DO NOT MANUALLY UPDATE
 THIRD ANGLE PROJECTION

SoniTexx[®]

TITLE	S.O DIMM 144 POS SMT 5.2MM(RoHS)		
PART NO.	19154-144-F7A110N	APPROVED BY	JASON MENG
DRAWING NO.	19154-144-F7A110N	CHECKED BY	STEVEN LIU
MATERIAL		DRAWN BY	Darren Xia
FINISH		GENERATD DATE	2005-08-01
SCALE	SHEET	REV.	SIZE: A4
FREE	1/2	A	FILE NO.:JJP-A-05-003

RoHS COMPLIANT

REVISIONS				
REV	ECN NO.	DESCRIPTION	APPROVED BY	DATE
A		NEW DRAWING	JASON MENG	2005-08-01



RECOMMEND PCB LAYOUT MODULE AND PATTERN

DO NOT SCALE DRAWING

DIMENSIONS:

MM [INCH] INCH [MM] MM ONLY

UNLESS OTHERWISE SPECIFIED, GENERAL TOLERANCE:

DECIMALS	ANGLES
X. ±0.38 [0.015]	X* ±3°
.X ±0.25 [0.010]	.X* ±1.0°
.XX ±0.13 [0.005]	

CAD GENERATED DRAWING, DO NOT MANUALLY UPDATE

THIRD ANGLE PROJECTION

SoniTexx[®]			
TITLE	S.O DIMM 144 POS SMT 5.2MM(RoHS)		
PART NO.	19154-144-F7A110N	APPROVED BY	JASON MENG
DRAWING NO.	19154-144-F7A110N	CHECKED BY	STEVEN LIU
MATERIAL	DRAWN BY		Darren Xia
FINISH	GENERATD DATE		2005-08-01
SCALE	SHEET	REV.	SIZE: A4
FREE	2/2	A	FILE NO.:JJP-A-05-003