

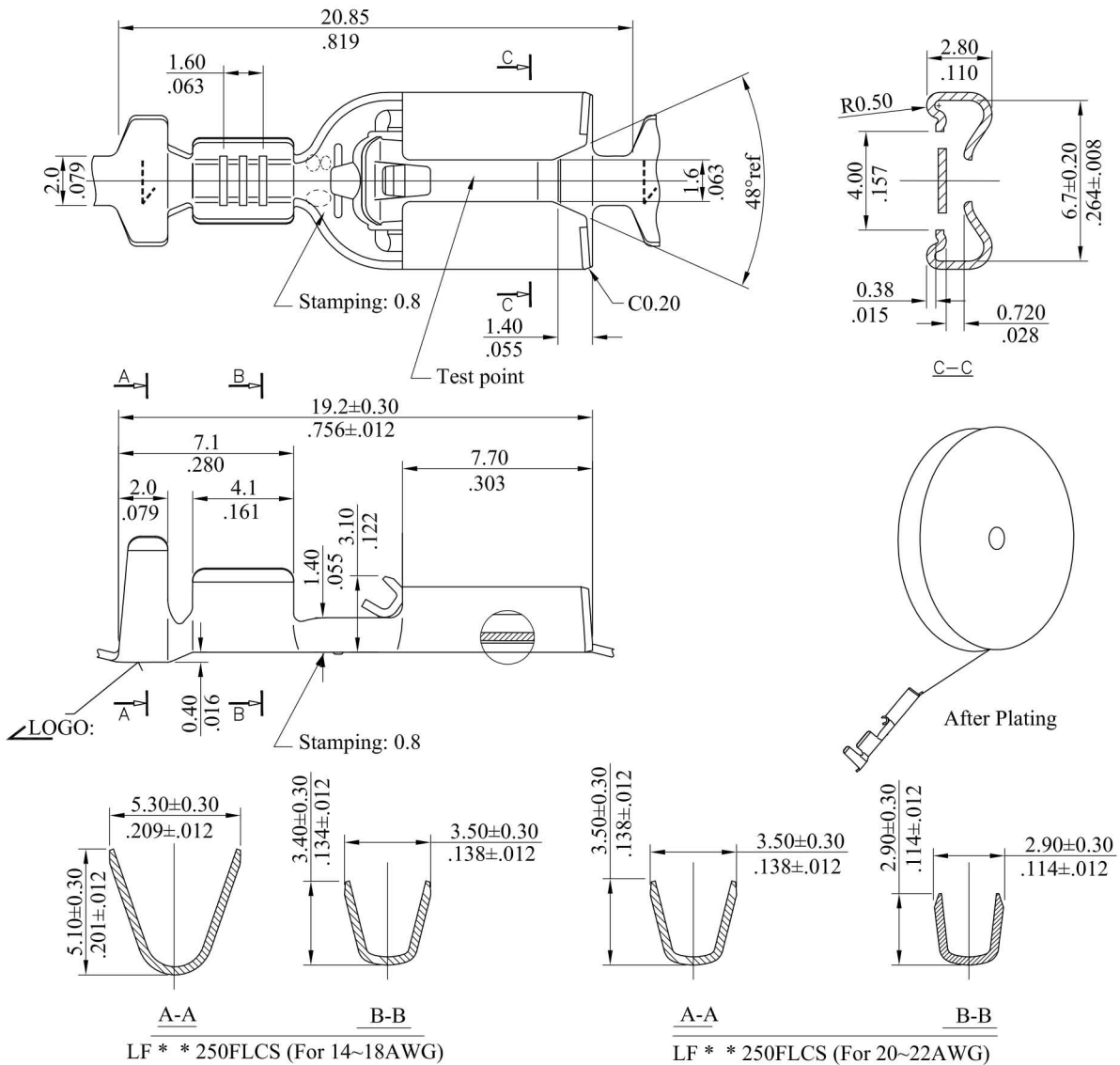
Note:

RoHS COMPLIANT

- Material: See the below information.  
Thickness: 0.35mm  
Finished: Tin-Argon Plating
- Insertion force ≤ 2.5kg, Withdrawal force ≥ 1.0kgf (with 0.8mm male terminal).
- Applicable wire: AWG 14 to 22
- Ordering Information:

$$\frac{LF}{1} * \frac{*}{2} 250FL * \frac{S}{3}$$

- Plating:  
N=Unplating  
T=Tin plated 120u"
- Material:  
C=Phosphor bronze C5191  
B=Brass C2680  
S=SUS 304-CSP 1/2H (withstand 300°C)
- See below drawing.



LF \* \* 250FLCS (For 14~18AWG)

LF \* \* 250FLCS (For 20~22AWG)

				<b>SoniTexx®</b>		APPROVED:		PART NO.:			
				GENERAL TOLERANCES: (UNLESS SPECIFIED)		DATE:		LF * * 250FL*S			
						CHECKED:		TITLE:			
						DATE:		Terminal			
						DRAWN:		DRAWING NO.:			
						DATE:		LFTC09S			
REV.	ECO. NO.	CHG.	APP.	ANGULAR ± ( 1° )		UNITS		SCALE	SIZE	SHEET	REV.
						mm inch		3:1	A4	1/1	D