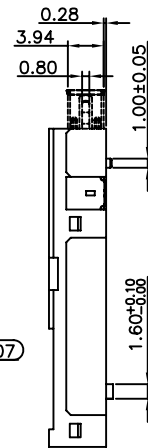
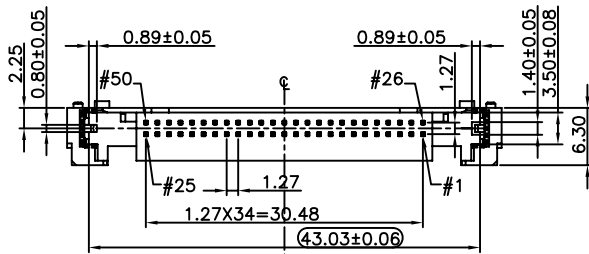
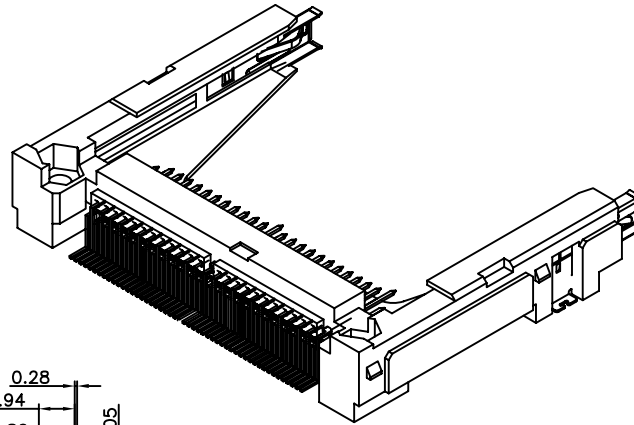


MATERIAL  
 Insulator: Thermal Plastic UL94V-0  
 Contacts: Copper Alloy  
 Mount Ear: Copper Alloy  
 CONTACT PLATING  
 Underplate: 50u"~100u" Nickel  
 Contact Area: 15u" Selective Gold  
 Solder Tails Area: 100u"~200u" Tin/Lead Free (Matte Tin)

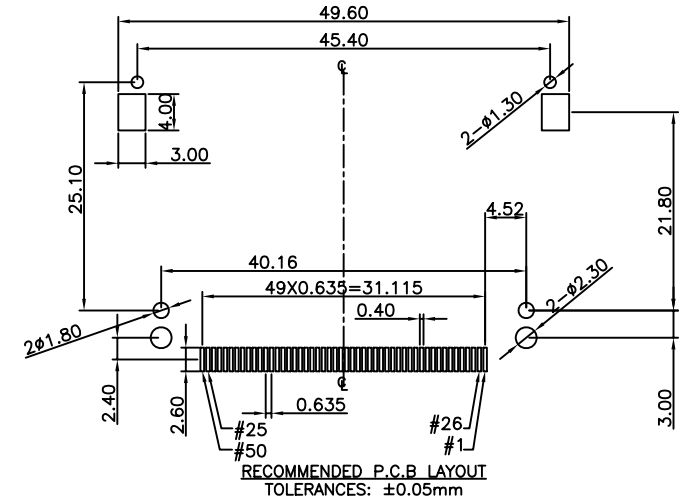
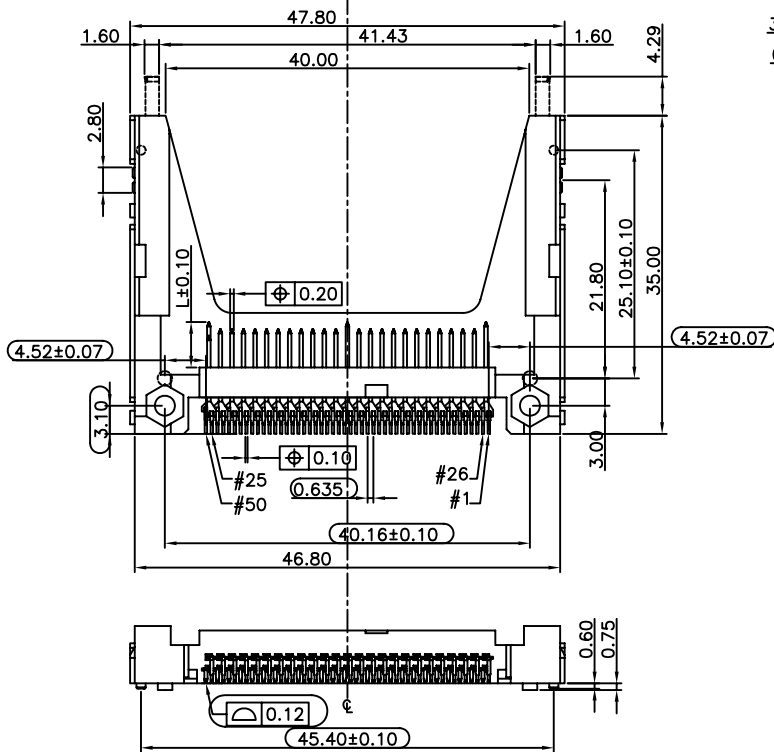
101B-I A A 0-R  
 1 2 3 4

- 1.Type T:Top Mount
- 2.Contact Plating A:15u"Gold Plating
- 3.Stand Off A:0mm
- 4.RoHS



For SIP  
 For cmk/cpk

POWER	5.00mm	1,13,38,50
GENERAL	4.25mm	all other pins
DETECT	3.50mm	25,26
Pin type	Interface Dim. L	Pin No.



UNLESS OTHERWISE SPECIFIED TOLERANCE		 <b>ATTEND TECHNOLOGY INC.</b> www.attend.com.tw
ANG.	±5°	
0.	±	
.0	±0.25	
.00	±0.20	
SCALE:	AS SHOWN	UNIT: mm
DRAWN	Willis	2009/01/06
CHECKED	/ /	
APPROVED	/ /	
DRAWN NAME:		CF Type I/II Socket
		Top Mount w/Grounding
PRODUCT NO.		101B-TAA0-R
FILE NAME:		101B-TAA0-R

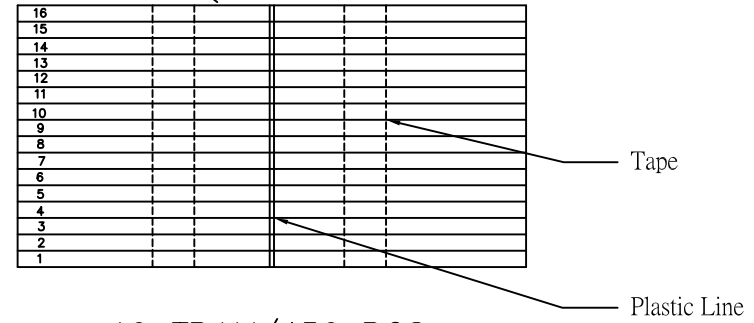
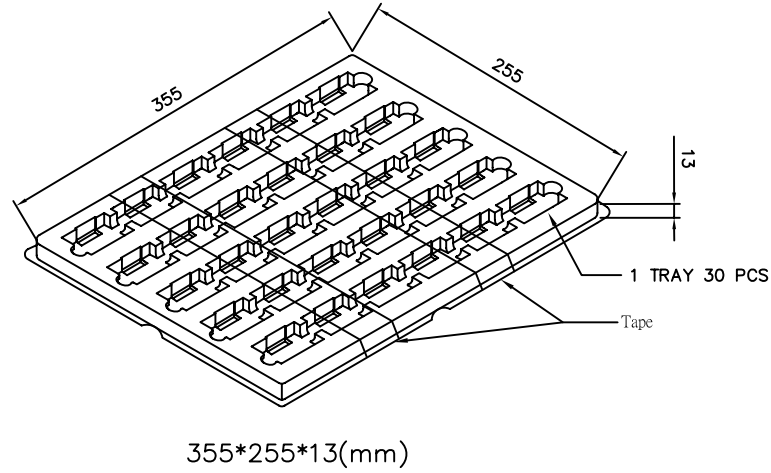
REV.	DESCRIPTION	DATE	SIZE	REV.
1			A4	

NOTES

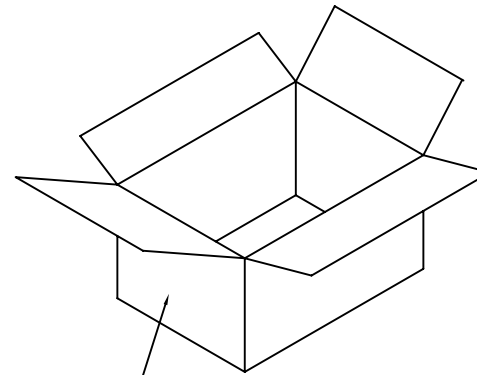
1. MATERIALS: PE
2. PACKING: 30PCS/TRAY 450PCS/Cartron
3. CONNECTOR TYPE 2 STANDOFF 0 or 2.2
4. Net weight=4.8Kg Gross weight=5.3Kg

All Material In According With The Rohs Environment Related Substances List Controlled.

TOP TRAY WITHOUT CONNECTOR



16 TRAY/450 PCS



CARTON SIZE  
394(L)X300(W)X216(H)

UNLESS OTHERWISE SPECIFIED TOLERANCE	
ANG.	±5°
0.	±
.0	±0.25
.00	±0.20



ATTEND TECHNOLOGY INC.

www.attend.com.tw

SCALE: AS SHOWN UNIT: mm

DRAWN Willis 2009/03/12

CHECKED / /

APPROVED / /

DRAWN NAME: CF Type I/II Socket Packing Drawing

PRODUCT NO. 101B-XXX0-R

FILE NAME: 101B-XXX0-R\_D\_1

REV.	DESCRIPTION	DATE
1		
2		
3		
4		
5		
6		
7		
8		
9		
10		

SIZE A4 REV.