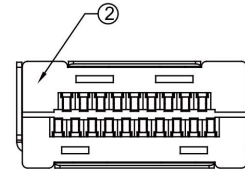
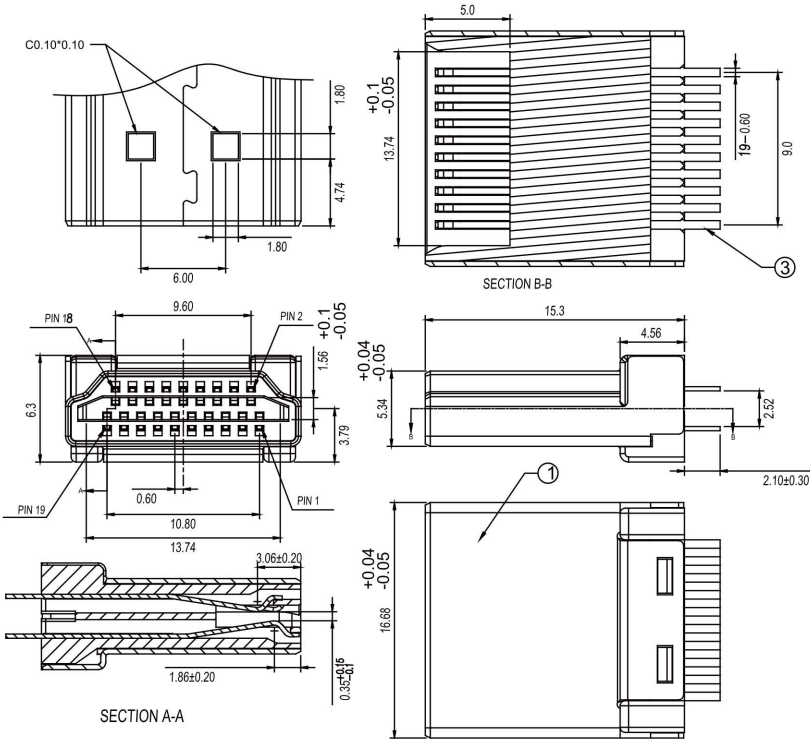


# HDMI Male Solder 19 Pin



## Material:

- 1.1 Housing: Thermoplastic UL94V-0 color: Gray
- 1.2 Contact: Phosphor bronze T=0.25mm.
- 1.3 Shell: Copper Alloy T=0.30mm.

## Specifications:

- 2.1 Current rating: 0.5 A Max.
- 2.2 Voltage rating: 40 V ac(rms) Max.
- 2.3 Contact resistance: 60 mΩ Max.
- 2.4 Dielectric withstanding voltage: 500 V(ac) for 1 min.
- 2.5 Insulation resistance: 100 MΩ Min.
- 2.6 Operation temperature range: -20°C~85°C

**Part No.: HDI-M19 SF Y N 3-U**

Selective 15u"

Nickel Shell