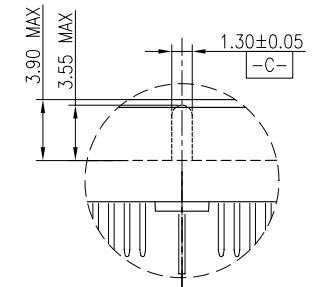
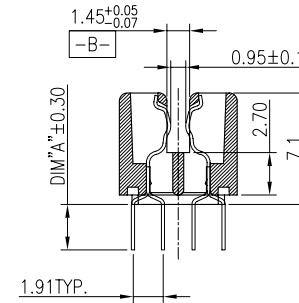
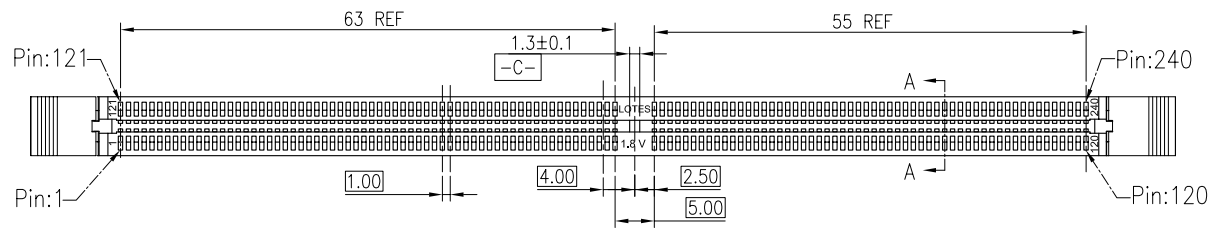
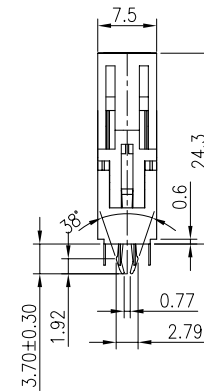
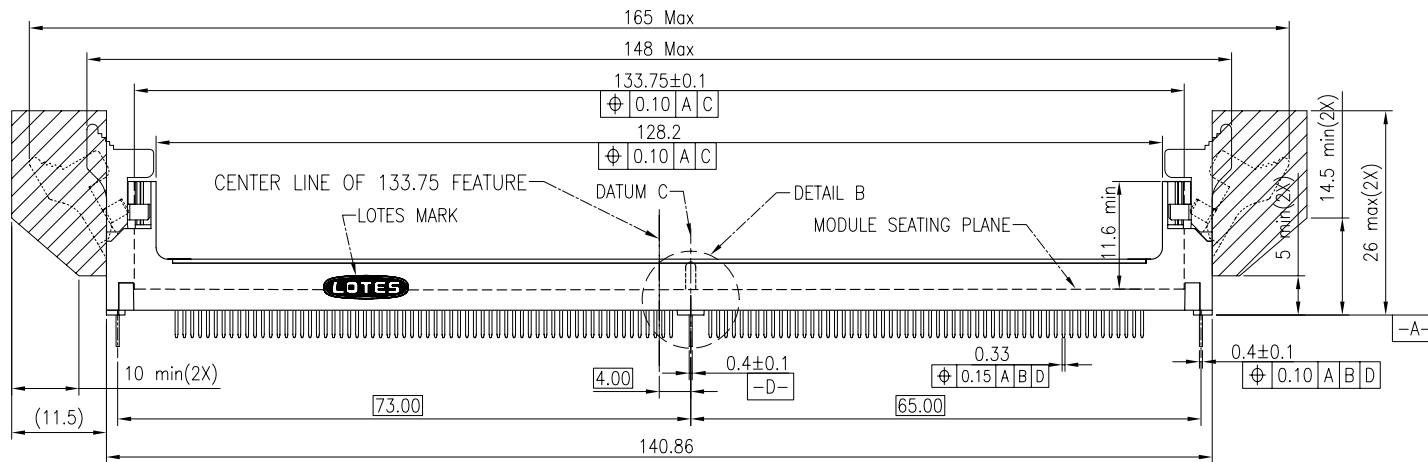


REV.	ECN NO. / DESCRIPTION	DATE
1	N090100	25/05'09



SECTION A-A

DETAIL B

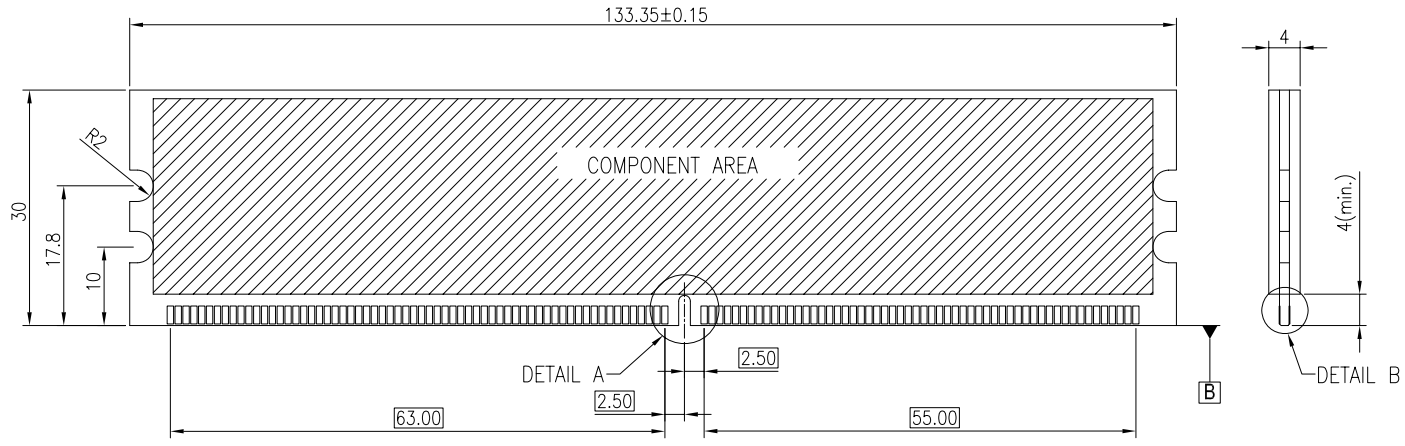


NOTE:

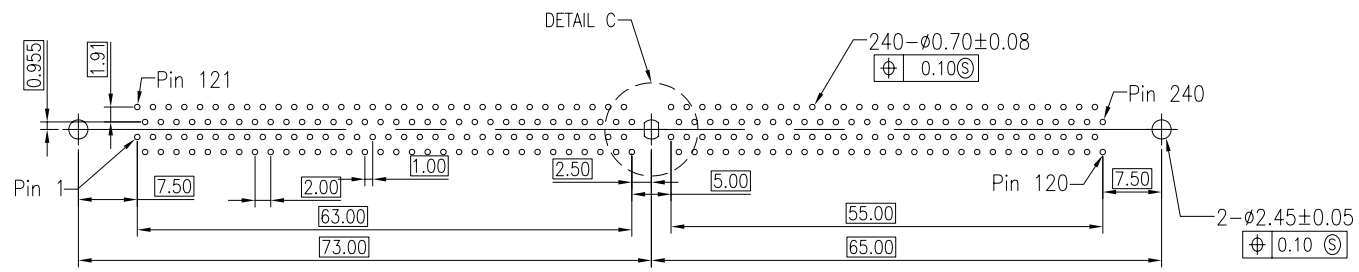
- Housing: Nylon. See Table.
Ejector: Low temperature Nylon.
Contact: Phosphor bronze(contact interface plating,see table).
Hook: Copper Alloy Or Steel Alloy, plating Matte Sn
- Module layout should meet JEDEC specification
- Refer to product specification for performance specification.
- RoHS Compliant.

GENERAL TOLERANCES UNLESS SPECIFIED		PART NO. SEE TABLE	LOTES		
.X ±0.35	X° ±3.0°				
.XX ±0.25	.X° ±2.0°	APPROVED BY <i>Bill</i>	TITLE DDR2 240 PIN MODULE CONNECTOR		
.XXX ±0.15	.XX° ±1.0°	CHECKED BY <i>Grig</i>	DWG NO. GAP-AAA-DDR-140		
CUSTOMER DRAWING		DRAWN BY <i>Strong_wy</i>	SHEET 1/4	SCALE 1 : 1	REV 1
SIZE A4	UNITS MM [INCH]				

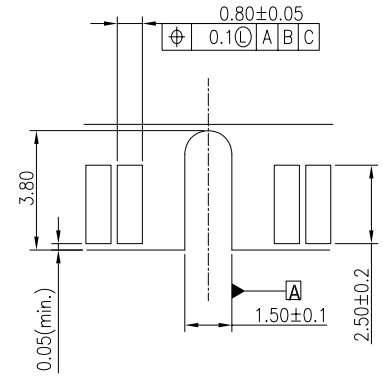
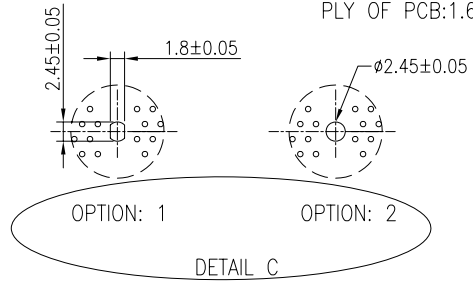
REV.	ECN NO. / DESCRIPTION	DATE
1	N090100	25/05'09



RECOMMEND MODULE LAYOUT



RECOMMEND PCB LAYOUT(CONNECTOR SIDE)
PLY OF PCB:1.6±0.1mm



DETAIL A

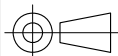
GENERAL TOLERANCES UNLESS SPECIFIED		PART NO. SEE TABLE	LOTES		
X ±0.35	X° ±3.0°				
.XX ±0.25	.X° ±2.0°	APPROVED BY <i>Bill</i>	TITLE DDR2 240 PIN MODULE CONNECTOR		
.XXX ±0.15	.XX° ±1.0°	CHECKED BY <i>Grig</i>	DWG NO. GAP-AAA-DDR-140		
CUSTOMER DRAWING		DRAWN BY <i>Strong_wy</i>	SHEET 2/4	SCALE 1 : 1	REV 1
SIZE A4	UNITS MM[INCH]				

1 2 3 4 5 6 7 8

REV.	ECN NO. / DESCRIPTION	DATE
1	N090100	25/05'09

TABLE:

Term	Specification	Dim"A"	OLD P/N	OLD P/N	NEW P/N
1	Housing:PA66_Black; Contact:Phosphor bronze_G/F;Ejector:White	2.7mm	AAA-DDR-047-K07	AAA-DDR-097-K07	AAA-DDR-140-K01
2	Housing:PA66_Black; Contact:Phosphor bronze_G/F;Ejector:White; HF	2.7mm		AAA-DDR-097-P07	AAA-DDR-140-P01
3	Housing:PA66_Blue 287C;Contact:Phosphor bronze_G/F;Ejector:White	2.7mm	AAA-DDR-047-K14	AAA-DDR-097-K14	AAA-DDR-140-K02
4	Housing:PA66_Blue 287C;Contact:Phosphor bronze_G/F;Ejector:White; HF	2.7mm	AAA-DDR-047-P14	AAA-DDR-097-P14	AAA-DDR-140-P02
5	Housing:PA46_White;Contact:Phosphor bronze_G/F;Ejector:White	2.7mm	AAA-DDR-047-K03	AAA-DDR-097-K03	AAA-DDR-140-K03
6	Housing:PA46_White;Contact:Phosphor bronze_15u"Au;Ejector:White	2.7mm	AAA-DDR-047-K04	AAA-DDR-097-K04	AAA-DDR-140-K04
7	Housing:PA46_Blue287C;Contact:Phosphor bronze_G/F;Ejector:White	2.7mm	AAA-DDR-047-K05	AAA-DDR-097-K05	AAA-DDR-140-K05
8	Housing:PA46_Black;Contact:Phosphor bronze_G/F;Ejector:Black	2.7mm	AAA-DDR-047-K06	AAA-DDR-097-K06	AAA-DDR-140-K06
9	Housing:PA66_Black; Contact:Phosphor bronze_15u"Au;Ejector:Black	3.1mm		AAA-DDR-097-K71	AAA-DDR-140-K07
10	Housing:PA66_Black;Contact:Phosphor bronze_15u"Au;Ejector:White	2.7mm	AAA-DDR-047-K08	AAA-DDR-097-K08	AAA-DDR-140-K08
11	Housing:PA66_Black;Contact:Phosphor bronze_15u"Au;Ejector:White	3.1mm		AAA-DDR-097-K09	AAA-DDR-140-K09
12	Housing:PA46_Black;Contact:Phosphor bronze_15u"Au;Ejector:White	3.1mm	AAA-DDR-047-K10	AAA-DDR-097-K10	AAA-DDR-140-K10
13	Housing:PA46_Black;Contact:Phosphor bronze_G/F;Ejector:White	2.7mm	AAA-DDR-047-K01	AAA-DDR-097-K01	AAA-DDR-140-K11
14	Housing:PA46_Black;Contact:Phosphor bronze_15u"Au;Ejector:White	2.7mm	AAA-DDR-047-K02	AAA-DDR-097-K02	AAA-DDR-140-K12
15	Housing:PA66_Green353U;Contact:Phosphor bronze_G/F;Ejector:White	2.7mm	AAA-DDR-047-K13	AAA-DDR-097-K13	AAA-DDR-140-K13
16	Housing:PA46_Blue287C;Contact:Phosphor bronze_30u"Au ;Ejector:White	2.7mm		AAA-DDR-097-K73	AAA-DDR-140-K14
17	Housing:PA66_Red 1795C;Contact:Phosphor bronze_G/F;Ejector:White	2.7mm	AAA-DDR-047-K15	AAA-DDR-097-K15	AAA-DDR-140-K15
18	Housing:PA46_Blue287C;Contact:Phosphor bronze_15u"Au ;Ejector:White	3.1mm	AAA-DDR-047-K86		AAA-DDR-140-K16
19	Housing:PA46_Black;Contact:Phosphor bronze_15u"Au;Ejector:Black	3.1mm		AAA-DDR-010-K11	AAA-DDR-140-K17
20	Housing:PA46_White;Contact:Phosphor bronze_15u"Au ;Ejector:White	3.1mm		AAA-DDR-097-K68	AAA-DDR-140-K18
21	Housing:PA46_White;Contact:Phosphor bronze_15u"Au ;Ejector:Black	2.7mm		AAA-DDR-097-K72	AAA-DDR-140-K19
22	Housing:PA66_Yellow803C;Contact:Phosphor bronze_G/F;Ejector:White	2.7mm	AAA-DDR-047-K20	AAA-DDR-097-K20	AAA-DDR-140-K20
23	Housing:PA66_Green353U;Contact:Phosphor bronze_G/F;Ejector:Green	2.7mm	AAA-DDR-047-K21	AAA-DDR-097-K21	AAA-DDR-140-K21
24	Housing:PA66_Blue 287C;Contact:Phosphor bronze_G/F;Ejector:Blue	2.7mm	AAA-DDR-047-K22	AAA-DDR-097-K22	AAA-DDR-140-K22
25	Housing:PA66_White;Contact:Phosphor bronze_G/F;Ejector:White	2.7mm	AAA-DDR-047-K23	AAA-DDR-097-K23	AAA-DDR-140-K23
26	Housing:PA66_Fluorescence Orange804C2X;Contact:Phosphor bronze_G/F;Ejector:White	2.7mm	AAA-DDR-047-K24	AAA-DDR-097-K24	AAA-DDR-140-K24
27	Housing:PA66_Fluorescence Orange804C2X;Contact:Phosphor bronze_G/F;Ejector:Fluorescence Orange	2.7mm	AAA-DDR-047-K25	AAA-DDR-097-K25	AAA-DDR-140-K25

GENERAL TOLERANCES UNLESS SPECIFIED		PART NO. SEE TABLE	LOTES			
.X ±0.35	X.° ±3.0°					
.XX ±0.25	X.° ±2.0°	APPROVED BY	TITLE			
.XXX ±0.15	.XX° ±1.0°	<i>Bill</i>	DDR2 240 PIN MODULE CONNECTOR			
CUSTOMER DRAWING		CHECKED BY	DWG NO.			
		<i>Grig</i>	GAP-AAA-DDR-140			
SIZE	UNITS	DRAWN BY		SHEET	SCALE	REV
A4	MM [INCH]	<i>Strong_wy</i>		3/4	1 : 1	1

1 2 3 4 5 6 7 8

7	8
REV.	ECN NO. / DESCRIPTION
DATE	
1	N090100
	25/05'09

Term	Specification	Dim"A"	OLD P/N	OLD P/N	NEW P/N
28	Housing:PA66_Fluorescence Yellow803C;Contact:Phosphor bronze_G/F;Ejector:Fluorescence Yellow	2.7mm	AAA-DDR-047-K26	AAA-DDR-097-K26	AAA-DDR-140-K26
29	Housing:PA66_Blue 287C;Contact:Phosphor bronze_15u"Au;Ejector:White	2.7mm	AAA-DDR-047-K27	AAA-DDR-097-K27	AAA-DDR-140-K27
30	Housing:PA66_White;Contact:Phosphor bronze_15u"Au;Ejector:White	2.7mm	AAA-DDR-047-K28	AAA-DDR-097-K28	AAA-DDR-140-K28
31	Housing:PA66_White;Contact:Phosphor bronze_15u"Au;Ejector:Black	2.7mm	AAA-DDR-047-K29	AAA-DDR-097-K29	AAA-DDR-140-K29
32	Housing:PA46_Black;Contact:Phosphor bronze_30u"Au;Ejector:White	2.7mm	AAA-DDR-047-K30		AAA-DDR-140-K30
33	Housing:PA66_Black;Contact:Phosphor bronze_G/F;Ejector:Black	2.7mm		AAA-DDR-097-K58	AAA-DDR-140-K31
34	Housing:PA66_Yellow137U;Contact:Phosphor bronze_G/F;Ejector:White	2.7mm	AAA-DDR-047-K32	AAA-DDR-097-K32	AAA-DDR-140-K32
35	Housing:PA66_Green382U;Contact:Phosphor bronze_G/F;Ejector:White	2.7mm	AAA-DDR-047-K33	AAA-DDR-097-K33	AAA-DDR-140-K33
36	Housing:PA66_Black; Contact:Phosphor bronze_G/F;Ejector:White	3.1mm	AAA-DDR-047-K34		AAA-DDR-140-K34
37	Housing:PA66_Black;Contact:Phosphor bronze_15u"Au;Ejector:Black	2.7mm	AAA-DDR-047-K35	AAA-DDR-097-K35	AAA-DDR-140-K35
38	Housing:PA66_Fluorescence Green381C;Contact:Phosphor bronze_G/F;Ejector:Fluorescence Green	2.7mm	AAA-DDR-047-K36	AAA-DDR-097-K36	AAA-DDR-140-K36
39	Housing:PA66_Orange172C;Contact:Phosphor bronze_G/F;Ejector:White	2.7mm	AAA-DDR-047-K37	AAA-DDR-097-K37	AAA-DDR-140-K37
40	Housing:PA66_Purple2623C;Contact:Phosphor bronze_G/F;Ejector:White	2.7mm	AAA-DDR-047-K38	AAA-DDR-097-K38	AAA-DDR-140-K38
41	Housing:HTN_Black; Contact:Phosphor bronze_G/F;Ejector:HTN_White: HF	2.7mm		AAA-DDR-097-P69	AAA-DDR-140-P39
42	Housing:HTN_Blue 287C;Contact:Phosphor bronze_G/F;Ejector:HTN_White; HF	2.7mm		AAA-DDR-097-P70	AAA-DDR-140-P40
43	Housing:PA46_Blue287C;Contact:Phosphor bronze_15u"Au;Ejector:White	2.7mm	AAA-DDR-047-K43	AAA-DDR-097-K43	AAA-DDR-140-K43
44	Housing:PA46_Black;Contact:Phosphor bronze_15u"Au;Ejector:Black	2.7mm		AAA-DDR-097-K44	AAA-DDR-140-K44
45	Housing:PA46_Black;Contact:Phosphor bronze_30u"Au;Ejector:White	3.1mm	AAA-DDR-047-K45	AAA-DDR-097-K45	AAA-DDR-140-K45
46	Housing:PA66_Yellow 803C;Contact:Phosphor bronze_15u"Au;Ejector:White	2.7mm	AAA-DDR-047-K46	AAA-DDR-097-K46	AAA-DDR-140-K46
47	Housing:PA66_Yellow 137U;Contact:Phosphor bronze_15u"Au;Ejector:White	2.7mm	AAA-DDR-047-K47	AAA-DDR-097-K47	AAA-DDR-140-K47
48	Housing:PA66_Green339C;Contact:Phosphor bronze_G/F;Ejector:White	2.7mm	AAA-DDR-047-K48	AAA-DDR-097-K48	AAA-DDR-140-K48
49	Housing:PA66_Grey7540;Contact:Phosphor bronze_G/F;Ejector:White	2.7mm		AAA-DDR-097-K62	AAA-DDR-140-K49
50	Housing:PA66_Black;Contact:Phosphor bronze_G/F;Ejector:White	2.4mm		AAA-DDR-097-K60	AAA-DDR-140-K50
51	Housing:PA66_Blue 287C;Contact:Phosphor bronze_G/F;Ejector:White	2.4mm		AAA-DDR-097-K61	AAA-DDR-140-K51
52	Housing:PA66_Yellow 122U;Contact:Phosphor bronze_G/F;Ejector:Yellow	2.7mm	AAA-DDR-047-K52	AAA-DDR-097-K52	AAA-DDR-140-K52
53	Housing:PA46_Green 339C;Contact:Phosphor bronze_15u"Au;Ejector:White	2.7mm	AAA-DDR-047-K53	AAA-DDR-097-K53	AAA-DDR-140-K53
54	Housing:PA66_Black;Contact:Phosphor bronze_30u"Au;Ejector:White	2.7mm	AAA-DDR-047-K54	AAA-DDR-097-K54	AAA-DDR-140-K54
55	Housing:PA66_Blue287C;Contact:Phosphor bronze_30u"Au;Ejector:White	2.7mm	AAA-DDR-047-K55	AAA-DDR-097-K55	AAA-DDR-140-K55
56	Housing:PA66_White;Contact:Phosphor bronze_30u"Au;Ejector:White	2.7mm		AAA-DDR-097-K59	AAA-DDR-140-K56
57	Housing:PA46_White;Contact:Phosphor bronze_G/F;Ejector:Black	2.7mm		AAA-DDR-097-K72	AAA-DDR-140-K59
58	Housing:PA66_Blue_2935C; Contact:Phosphor bronze_G/F;Ejector:White	2.7mm			AAA-DDR-140-K60
59	Housing:PA66_Black_7547C; Contact:Phosphor bronze_G/F;Ejector:White	2.7mm			AAA-DDR-140-K61

GENERAL TOLERANCES UNLESS SPECIFIED		PART NO.		LOTES			
.X ±0.35	X.° ±3.0°	SEE TABLE					
.XX ±0.25	.X.° ±2.0°	APPROVED BY		TITLE			
.XXX ±0.15	.XX.° ±1.0°	<i>Bill</i>		DDR2 240 PIN MODULE CONNECTOR			
CUSTOMER DRAWING		CHECKED BY		DWG NO.			
		<i>Grig</i>		GAP-AAA-DDR-140			
SIZE	UNITS	DRAWN BY			SHEET	SCALE	REV
A4	MM [INCH]	<i>Strong_wy</i>			4/4	1 : 1	1