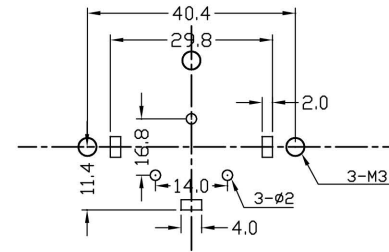
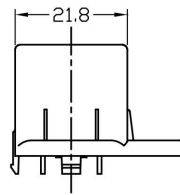
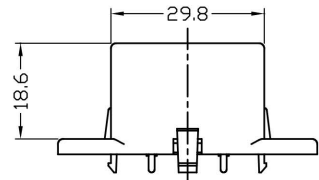
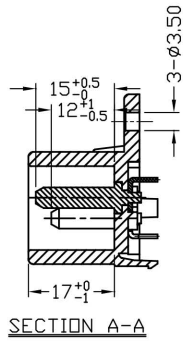
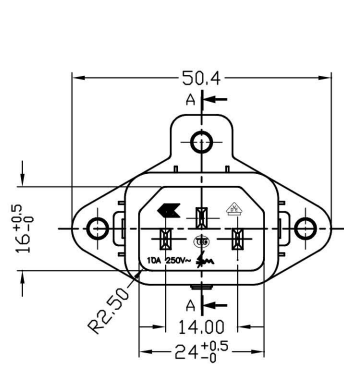
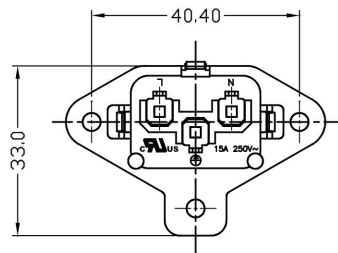


REV	ECN NO.	DESCRIPTION	APPROVED BY	DATE
A		PROPOSAL DRAWING	JASON MENG	2010-05-24



FOR FRONT MOUNTING USE



PART NO.	VIEW	DESCRIPTION
11619-203	A	SOLDER WIRE TYPE

**SPECIFICATION**

- A: MATERIAL:
- HOUSING: PBT+30%GF FLAMMABILITY, UL 94V-0
  - TERMINAL: COPPER ALLOY, TIN PLATED
- B: CHARACTERISTICS:
- RATING: 15A 250V~ UL CUL  
10A 250V~ ENEC CCC VDE
  - INSULATION RESISTANCE: 100 MΩ MIN, AT 500 VDC
  - ELECTRIC STRENGTH: AC 2,000 V FOR ONE MINUTE
- C: APPROVALS:  
UL,VDE,CCC,ENEC

DO NOT SCALE DRAWING

DIMENSIONS:

MM [INCH]    INCH [MM]    MM ONLY

UNLESS OTHERWISE SPECIFIED, GENERAL TOLERANCE:

DECIMALS                      ANGLES

X. ±0.38 [0.015]                X° ±3°

.X ±0.25 [0.010]                .X° ±1.0°

.XX ±0.13 [0.005]

CAD GENERATED DRAWING, DO NOT MANUALLY UPDATE

THIRD ANGLE PROJECTION

**JJP** Jen Jia Precision Technology Co., Ltd.

TITLE		AC INLEF	
PART NO.	11619-203	APPROVED BY	JASON MENG
DRAWING NO	11619-203	CHECKED BY	STEVEN LIU
MATERIAL		DRAWN BY	ANNIE WANG
FINISH		GENERATD DATE	2010-05-24
SCALE	NONE	SHEET	1/1
REV.	A	SIZE:A4	FILE NO.:JJP-A-05-003